

MAXIMIZER

Pizza Ovens

MODEL CE131PE



General Features:

- **Quality Construction**
for long life
- **Stainless steel front**
Standard
- **Large capacity**
1,368 sq. inches of available cooking space on three, cordierite decks
- **Unique interior design**
Better distribution of heat
- **Energy efficient**
Energy-saving tubular elements coupled with our unique baffle system for even heat and better baking
- **Full Range Digital Control**
300°F - 650°F thermostat (149°C - 343°C)
- **Solid State Relay**
Precise temperature control
- **Silent Operation**
- **Easily Serviceable**
All controls can be replaced from the front of the unit
- **Warranty**
One year parts and labor
- **Power**
Single phase STD
Three phase optional
- **Electric Capacity**
1368 sq. inches of available cooking space on three (3) cordierite decks



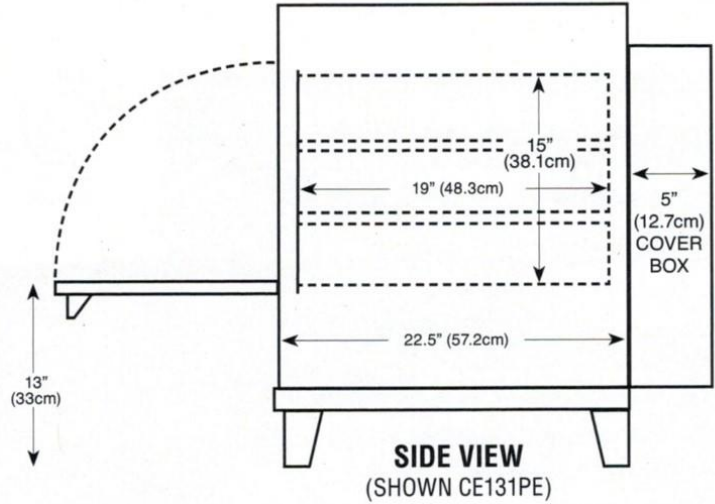
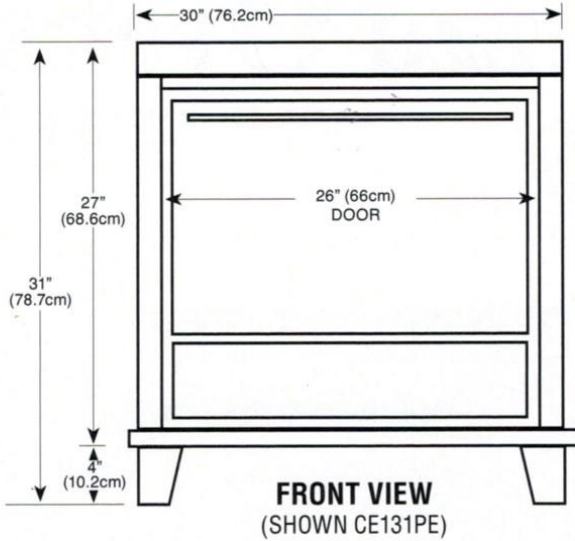
ELECTRIC



MORE FOR LESS

- More Cooking Space per Floor Space
- More Cooking Capacity per Sales Dollar
- More Performance per Gas Dollar





Counter space	30" (76.2cm) wide x 22.5" (57.2cm) deep* x 31" (78.7cm) high
Shelf size	24" (61cm) wide x 19" (48.3cm) deep
Shipping weight	255 lbs (115.6kg)
Capacity	Eight 9" (22.9cm) pizzas or four 16" (40.7cm) pizzas
Shelves	Up to three - 18" electric model
Electric	8.5KW - 220V single phase

* Handle adds 2.5" (6.4cm) to depth



Digital Electronic Controller
(Electric Models)



Adjustable Legs

Durable Construction

The CE131 is built with *prime 20-gauge cold-rolled sides* and topped with a 16-gauge base. The *interior is made of Armco Type 1, 20-gauge aluminized steel*. Also, the CE131 comes standard with a stainless steel front using high quality 20-gauge stainless steel.

Energy Efficiency

The CE131 is equipped with four energy saving tubular elements and with our unique baffle system, makes the oven highly efficient and eliminates hot spots. The heavily insulated walls coupled with a no vent system, reduces heat loss and keeps the area safe for workers. The CE131 is well powered by 8000 watts, which enables it to have an extremely fast recovery rate.

Versatility

The CE131 comes with three shelves and adequate spacing, which increases the oven's capabilities for either baking or roasting. This counter top unit is also double stackable for double the capacity, double the efficiency and double the profits. The CE131 comes with an optional floor base (PK31) for extra storage and has optional racks.

Capacity CE131

The CE131 is the only single-door, three shelf pizza electric oven available. It houses three cordierite decks which offer 456 square inches (2941.9 sq cm) of cooking area per shelf. That equals 1368 total square inches (8825.9 sq cm) per oven. When double stacked, the CE231 offers six shelves, which brings you total cooking area to 2736 square inches (17,651.4 sq cm). When you compare the cost per shelf or per square inch to other ovens, Peerless is by far the greatest value.

Design Plus CE131

The CE131 has the controller in the lower front for ease of operation, to save space and in their very own air conditioned area so they are not affected by outside influences. The CE131 is totally thermocoupled and allows you to replace individual parts without replacing the entire system. The CE131 is also available in a two shelf version if interior space is an issue. Call for details.

